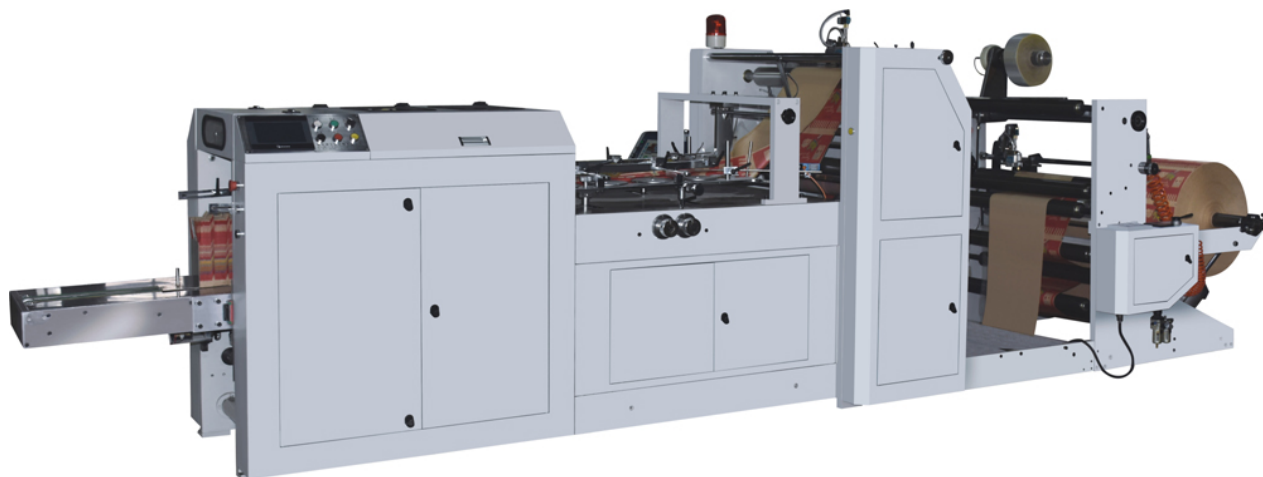


LSD-400B Automatic High Speed Paper Bag Making Machine

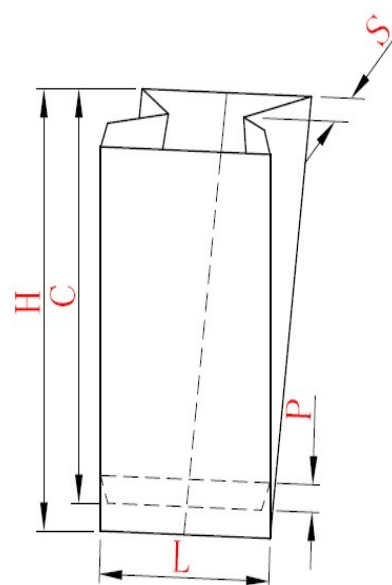


Introduction:

My company's latest research and development of new automatic high-speed paper bag machine from the roll paper to the Spray adhesive, Paste the film, piercing, the top of the glue, into a tube, cut bags, folding bottom, paste the finished product bag finished once. The new model is more convenient, more efficient and more stable, is the production of a variety of different paper bags, fast food bags, bread bags, medical bags, dried fruit bags, shopping bags, and so the ideal equipment for environmental protection paper bags.

Features:

1. Adopt touch screen and PC control system, the work condition can be shown real time.
2. Equipped with accurate servo motor drive, it makes the machine run steadily and efficiently.
3. Material lifting adopt pneumatic lift structure.
4. Automatic constant tension control system. The tension will be just right from beginning to end.
5. Double photoelectric sensor limit automatic correction control system and deviation rectification stability, energy saving, long life.
6. The machine has automatic counting system. The user can set a number to count.
7. Accurate color tracking system, color errors automatically shut down.
8. The machine has automatic counting system.



Technical Parameter:

Type	LSD-400B
Cutting Length (C)	95-405 mm
Bag Length (H)	90-400 mm
Bag Width (L)	70-220 mm
Gusset Depth (S)	0-60 mm
Standard Flap (P)	15-18 mm

Max.Speed	700 pcs/min
Paper Thickness	30-80 gsm
Paper Roll Width	180-680 mm
Max.Roll Diameter	1100 mm
Reel Inner Diameter	76 mm
Pasted With Film	YES
Coating Way	Hot-melt glue spraying system 、 coated with cold glue
Film Thickness	0.03-0.05 mm
Film Width	50-220 mm
The Max Film Diameter	500 mm
Film Inner Diameter	76 mm
Total Power	10 kw
Weight of Machine	3800 kg
Overall Dimension(LxWxH)	5850×1400×1650 mm

Note:

Machine speeds dependent on paper & adhesive qualities, bag dimensions, operator knowledge, and general work philosophy.

LSD-400+LST-4700

Automatic High Speed Paper Bag Machine With Flexo Printing Machine
全自动高速柔版印刷纸袋机
**简介:**

我公司最新研发的新型全自动高速纸袋机由卷筒纸到印刷、刺孔、上边胶、成筒、切袋、折底、糊底、成品袋输出一次完成。新机型操作更方便，更高效，更稳定，是生产各种不同纸质食品袋、快餐袋、面包袋、医用袋、干果袋、购物袋等等环保纸袋的理想设备。

Introduction:

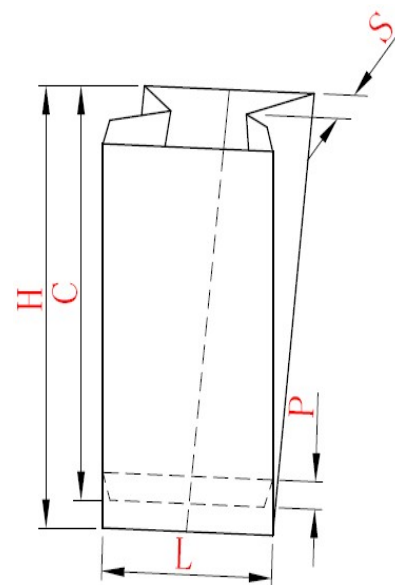
My company's latest research and development of new automatic high-speed paper bag machine from the roll paper to the printing, piercing, the top of the glue, into a tube, cut bags, folding bottom, paste the finished product bag finished once. The new model is more convenient, more efficient and more stable, is the production of a variety of different paper bags, fast food bags, bread bags, medical bags, dried fruit bags, shopping bags, and so the ideal equipment for environmental protection paper bags.

特点:

1. 采用触摸屏人机界面 PC 控制系统，工作状况实时显示。
2. 超精密伺服控制系统，确保机器稳定、高效运行。
3. 材料装卸采用气动升降结构。
4. 全自动恒张力控制系统，张力从始至终丝毫不差。
5. 双光电传感器限位自动纠偏控制系统，纠偏稳定、节能、寿命长。
6. 采用触摸屏人机界面可设置的点数标记功能。
7. 精确的色标跟踪系统，色标错误自动停机。
8. 自动点数标记功能，到达设定数量纸袋自动跳出。
9. 墨水循环式封闭刮墨刀刮墨。
10. 传墨采用陶瓷网纹辊，高速运行网点再现率高，网版印刷层次分明，立体感强。
11. 按钮式 360° 连续可调纵向套准装置。

Features:

1. Adopt touch screen and PC control system, the work condition can be shown real time.
2. Equipped with accurate servo motor drive, it makes the machine run steadily and efficiently.
3. Material lifting adopt pneumatic lift structure.
4. Automatic constant tension control system. The tension will be just right from beginning to end.
5. Double photoelectric sensor limit automatic correction control system and deviation rectification stability, energy saving, long life.
6. The machine has automatic counting system. The user can set a number to count.
7. Accurate color tracking system, color errors automatically shut down.
8. The machine has automatic counting system.
9. ink-ring sealed scraping knife scraping.
10. ink Ceramic Anilox roller, high speed dot rate, screen printed layered, stronger.
11. button-360 ° continuous and adjustable longitudinal register device.

**技术参数 Technical Parameter:**

机型	Type	LSD-400+LST-4700
切袋长度 (C)	Cutting Length (C)	100-410 mm
制袋长度 (H)	Bag Length (H)	90-400 mm
制袋宽度 (L)	Bag Width (L)	70-220 mm
折边深度 (S)	Gusset Depth (S)	0-60 mm
梯口高度 (P)	Standard Flap (P)	15-18 mm
最大制袋速度	Max.Speed	700 pcs/min
纸张克重	Paper Thickness	30-80 gsm
纸卷宽度	Paper Roll Width	180-680 mm
最大纸卷直径	Max.Roll Diameter	1100 mm
纸卷内径	Reel Inner Diameter	76 mm
印刷颜色	Printing Color	4 Color
最大印刷宽度	Printing Width	700 mm
印刷长度	Printing Length	160-800 mm
最大印刷速度	Max.Printing Speed	120 m/min
套印精度	Overprint Precision	±0.15 mm
版材厚度	Thickness of Plate	1.7 mm
总功率	Total Power	14.5 kw
机器重量	Weight of Machine	5100 kg
外形尺寸	Overall Dimension(LxWxH)	8400x1400x1850 mm

注意:

制袋速度取决于材料和胶粘剂的品质、纸袋尺寸、操作员的工作知识和工作方法。

Note:

Machine speeds dependent on paper & adhesive qualities, bag dimensions, operator knowledge, and general work philosophy.

LSD-700
Automatic High Speed Paper Bag Making Machine
全自动高速纸袋机



简介:

我公司最新研发的新型全自动高速纸袋机由卷筒纸到穿孔、上边胶、成筒、切袋、折底、糊底、成品袋输出一次完成。新机型操作更方便，更高效，更稳定，是生产各种不同纸质食品袋、快餐袋、面包袋、医用袋、干果袋、购物袋等等环保纸袋的理想设备。

Introduction:

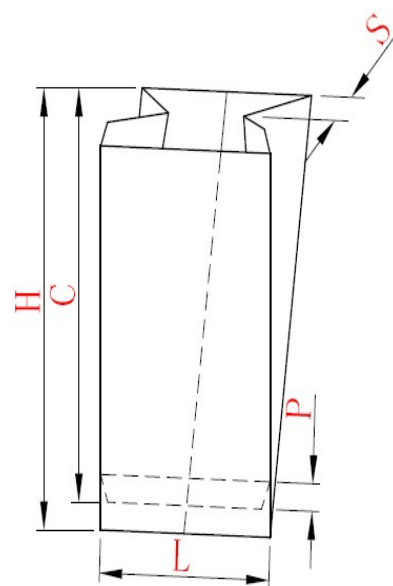
My company's latest research and development of new automatic high-speed paper bag machine from the roll paper to the piercing, the top of the glue, into a tube, cut bags, folding bottom, paste the finished product bag finished once. The new model is more convenient, more efficient and more stable, is the production of a variety of different paper bags, fast food bags, bread bags, medical bags, dried fruit bags, shopping bags, and so the ideal equipment for environmental protection paper bags.

特点:

1. 采用触摸屏人机界面 PC 控制系统，工作状态实时显示。
2. 超精密伺服控制系统，确保机器稳定、高效运行。
3. 材料装卸采用气动升降结构。
4. 全自动恒张力控制系统，张力从始至终丝毫不差。
5. 双光电传感器限位自动纠偏控制系统，纠偏稳定、节能、寿命长。
6. 采用触摸屏人机界面可设置的点数标记功能。
7. 精确的色标跟踪系统，色标错误自动停机。
8. 自动点数标记功能，到达设定数量纸袋自动跳出。

Features:

1. Adopt touch screen and PC control system, the work condition can be shown real time.
2. Equipped with accurate servo motor drive, it makes the machine run steadily and efficiently.
3. Material lifting adopt pneumatic lift structure.
4. Automatic constant tension control system. The tension will be just right from beginning to end.
5. Double photoelectric sensor limit automatic correction control system and deviation rectification stability, energy saving, long life.
6. The machine has automatic counting system. The user can set a number to count.
7. Accurate color tracking system, color errors automatically shut down.
8. The machine has automatic counting system.



技术参数 Technical Parameter:

机型	Type	LSD-700
切袋长度 (C)	Cutting Length (C)	170-710 mm
制袋长度 (H)	Bag Length (H)	160-700 mm
制袋宽度 (L)	Bag Width (L)	80-350 mm
折边深度 (S)	Gusset Depth (S)	0-60 mm
梯口高度 (P)	Standard Flap (P)	15-18 mm
最大制袋速度	Max.Speed	600 pcs/min
纸张克重	Paper Thickness	30-100 gsm
纸卷宽度	Paper Roll Width	220-930 mm
最大纸卷直径	Max.Roll Diameter	1200 mm
纸卷内径	Reel Inner Diameter	76 mm
总功率	Total Power	11 kw
机器重量	Weight of Machine	4200 kg
外形尺寸	Overall Dimension(LxWxH)	5400x1800x1700 mm

注意:

制袋速度取决于材料和胶粘剂的品质、纸袋尺寸、操作员的工作知识和工作方法。

Note:

Machine speeds dependent on paper & adhesive qualities, bag dimensions, operator knowledge, and general work philosophy.

LSD-700B

Automatic High Speed Paper Bag Making Machine
全自动高速纸袋机**简介:**

我公司最新研发的新型全自动高速纸袋机由卷筒纸到喷胶贴膜、刺孔、上边胶、成筒、切袋、折底、糊底、成品袋输出一次完成。新机型操作更方便,更高效,更稳定,是生产各种不同纸质食品袋、快餐袋、面包袋、医用袋、干果袋、购物袋等等环保纸袋的理想设备。

Introduction:

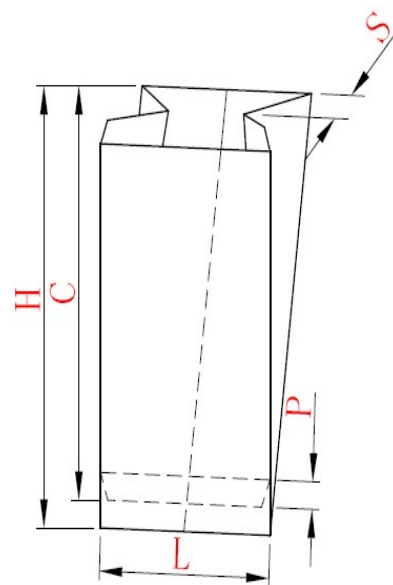
My company's latest research and development of new automatic high-speed paper bag machine from the roll paper to the Spray adhesive, Paste the film, piercing, the top of the glue, into a tube, cut bags, folding bottom, paste the finished product bag finished once. The new model is more convenient, more efficient and more stable, is the production of a variety of different paper bags, fast food bags, bread bags, medical bags, dried fruit bags, shopping bags, and so the ideal equipment for environmental protection paper bags.

特点:

1. 采用触摸屏人机界面 PC 控制系统, 工作状况实时显示。
2. 超精密伺服控制系统, 确保机器稳定、高效运行。
3. 材料装卸采用气动升降结构。
4. 全自动恒张力控制系统, 张力从始至终丝毫不差。
5. 双光电传感器限位自动纠偏控制系统, 纠偏稳定、节能、寿命长。
6. 采用触摸屏人机界面可设置的点数标记功能。
7. 精确的色标跟踪系统, 色标错误自动停机。
8. 自动点数标记功能, 到达设定数量纸袋自动跳出。

Features:

1. Adopt touch screen and PC control system, the work condition can be shown real time.
2. Equipped with accurate servo motor drive, it makes the machine run steadily and efficiently.
3. Material lifting adopt pneumatic lift structure.
4. Automatic constant tension control system. The tension will be just right from beginning to end.
5. Double photoelectric sensor limit automatic correction control system and deviation rectification stability, energy saving, long life.
6. The machine has automatic counting system. The user can set a number to count.
7. Accurate color tracking system, color errors automatically shut down.
8. The machine has automatic counting system.

**技术参数 Technical Parameter:**

机型	Type	LSD-700B
切袋长度 (C)	Cutting Length (C)	170-710 mm
制袋长度 (H)	Bag Length (H)	160-700 mm
制袋宽度 (L)	Bag Width (L)	80-350 mm
折边深度 (S)	Gusset Depth (S)	0-60 mm
梯口高度 (P)	Standard Flap (P)	15-18 mm
最大制袋速度	Max.Speed	600 pcs/min
纸张克重	Paper Thickness	30-100 gsm
纸卷宽度	Paper Roll Width	220-930 mm
最大纸卷直径	Max.Roll Diameter	1200 mm
纸卷内径	Reel Inner Diameter	76 mm
贴膜	Pasted With Film	有 YES
粘合方式	Coating Way	热熔胶喷胶系统、冷胶滚涂 Hot-melt glue spraying system、coated with cold glue
薄膜厚度	Film Thickness	0.03-0.05 mm
薄膜宽度	Film Width	50-220 mm
薄膜最大直径	The Max Film Diameter	500 mm
薄膜内径	Film Inner Diameter	76 mm
总功率	Total Power	13 kw
机器重量	Weight of Machine	5000 kg
外形尺寸	Overall Dimension(LxWxH)	6900x1800x1700 mm

注意:

制袋速度取决于材料和胶粘剂的品质、纸袋尺寸、操作员的工作知识和工作方法。

Note:

Machine speeds dependent on paper & adhesive qualities, bag dimensions, operator knowledge, and general work philosophy.

LSB-200
Roll Feeding Square Bottom Paper Bag Making Machine
卷筒纸方底纸袋机



简介:

卷筒纸方底纸袋机是将原色或印刷好的卷筒纸经过涂边胶、折叠成筒、纸筒切断、底部折叠、底部涂胶、袋底成形、成品袋输出一次完成。该机由PC伺服控制系统控制、触摸屏人机界面实时显示，可生产多种规格纸袋。它具有速度快、更换纸袋规格快、调节范围大等优点，是生产食品袋、手提购物袋最理想的首选设备。

Introduction:

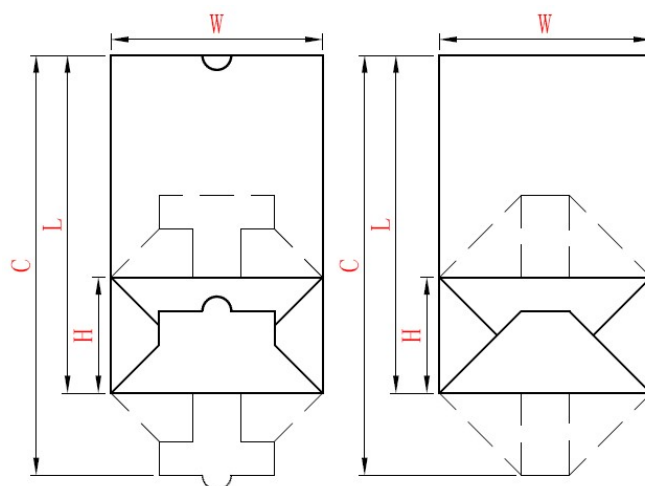
Roll Feeding square bottom paper bag making machine forming the paper bag in one process from printed or unprinted roll paper, side gluing, roll folding, roll paper cutting, bottom folding, bottom gluing, bottom forming, bag formation at a stroke. This machine controls by PC programmable servo motor through the human-machine touch screen interface. It can produce various of specifications paper bags. This machine have advantages of high speed, quickly replace the paper bag specifications, more wide range adjusting etc. It is an ideal machine for producing food bag, shopping handles bag.

特点：

1. 触摸屏人机界面，工作状态实时显示。
2. 超精密伺服控制系统，确保机器稳定、高效运行。
3. 材料装卸采用气动升降结构。
4. 全自动恒张力控制系统，张力从始至终丝毫不差。
5. 双光电传感器限位自动纠偏控制系统，纠偏稳定、节能、寿命长。
6. 拇指扣、平贴底切割装置，制袋类型多种选择。
7. 不停机轮毂侧夹同步调整结构，调整侧夹将变得非常简单、快速。
8. 涂胶辊防空涂控制，避免胶水直接涂刷轮毂表面，减少不必要的麻烦。
9. 精确的色标跟踪系统，色标错误自动停机。
10. 自动润滑供油系统。

Features:

1. The human-machine touch screen interface, the work condition can be shown in real-time.
2. Equipped with accurate servo motor drive, it makes the machine run steadily and efficiently.
3. Material lifting adopt pneumatic lift structure.
4. Automatic constant tension control system. The tension will be just right from beginning to end.
5. Double photoelectric sensor limit automatic correction control system and deviation rectification stability, energy saving, long life.
6. Thumb buttons, appressed bottom cutting device, bag type have many choices.
7. Don't stop machine adjust double bottom structure, the adjustment will become more intuitive, more simple, more time saving.
8. Glue roller air defense coating control, avoid gluing on besmear brushes hub surface directly, reduce unnecessary trouble.
9. Accurate color tracking system, color errors automatically shut down.
10. Automatic lubricating oil supply system.

**技术参数 Technical Parameter:**

机型	Type	LSB-200
制袋宽度 (W)	Bag Width (W)	80-200 mm
袋底宽度 (H)	Bottom Size (H)	50-105 mm
切割长度 (C)	Bag tube length (C)	190-370 mm
最大制袋速度	Max.Speed	260 pcs/min
纸张克重	Paper Thickness	45-140 gsm
纸卷宽度	Paper Roll Width	280-630 mm
最大纸卷直径	Max.Roll diameter	1100 mm
纸卷内径	Reel inner diameter	76 mm
总功率	Total Power	7.5 Kw
机器重量	Weight of Machine	3500 kg
外形尺寸	Overall Dimension(LxWxH)	6600x1400x1500 mm

注意:

制袋速度取决于材料和胶粘剂的品质、纸袋尺寸、操作员的工作知识和工作方法。

Note:

Machine speeds dependent on paper & adhesive qualities, bag dimensions, operator knowledge, and general work philosophy.

LSB-200+LST-4700

Roll Feeding Square Bottom Paper Bag Making Machine With Flexo Printing Machine
卷筒纸方底柔版印刷纸袋机
**简介:**

该纸袋机是将卷筒纸经过印刷图案、涂边胶、折叠成筒、纸筒切断、底部折叠、底部涂胶、袋底成形、成品袋输出、印刷、制袋一次完成。该机由PC伺服控制系统控制、触摸屏人机界面实时显示，可生产多种规格纸袋。它具有速度快、更换纸袋规格快、调节范围大等优点，是生产食品袋、手提购物袋最理想的首选设备。

Introduction:

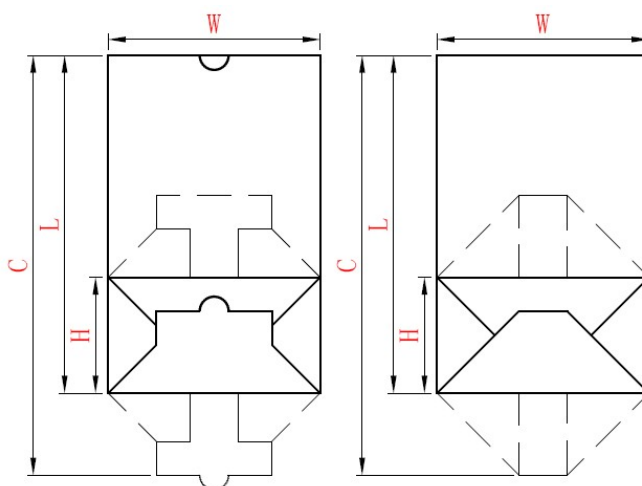
The paper bag making machine from the roll paper to the printing, side gluing, roll folding, roll paper cutting, bottom folding, bottom gluing, bottom forming, bag formation at a stroke. This machine controls by PC programmable servo motor through the human-machine touch screen interface. It can produce various of specifications paper bags. This machine have advantages of high speed, quickly replace the paper bag specifications, more wide range adjusting etc. It is an ideal machine for producing food bag, shopping handles bag.

特点：

1. 触摸屏人机界面，工作状态实时显示。
2. 超精密伺服控制系统，确保机器稳定、高效运行。
3. 材料装卸采用气动升降结构。
4. 全自动恒张力控制系统，张力从始至终丝毫不差。
5. 双光电传感器限位自动纠偏控制系统，纠偏稳定、节能、寿命长。
6. 拇指扣、平贴底切割装置，制袋类型多种选择。
7. 不停机轮毂侧夹同步调整结构，调整侧夹将变得非常简单、快速。
8. 涂胶辊防空涂控制，避免胶水直接涂刷轮毂表面，减少不必要的麻烦。
9. 精确的色标跟踪系统，色标错误自动停机。
10. 自动润滑供油系统。
11. 墨水循环式封闭刮墨刀刮墨。
12. 传墨采用陶瓷网纹辊，高速运行网点再现率高，网版印刷层次分明，立体感强。
13. 按钮式 360° 连续可调纵向套准装置。

Features:

1. The human-machine touch screen interface, the work condition can be shown in real- time.
2. Equipped with accurate servo motor drive, it makes the machine run steadily and efficiently.
3. Material lifting adopt pneumatic lift structure.
4. Automatic constant tension control system. The tension will be just right from beginning to end.
5. Double photoelectric sensor limit automatic correction control system and deviation rectification stability, energy saving, long life.
6. Thumb buttons, appressed bottom cutting device, bag type have many choices.
7. Don't stop machine adjust double bottom structure, the adjustment will become more intuitive, more simple, more time saving.
8. Glue roller air defense coating control, avoid gluing on besmear brushes hub surface directly, reduce unnecessary trouble.
9. Accurate color tracking system, color errors automatically shut down.
10. Automatic lubricating oil supply system.
11. ink-ring sealed scraping knife scraping.
12. ink Ceramic Anilox roller, high speed dot rate, screen printed layered, stronger.
13. button-360 ° continuous and adjustable longitudinal register device.

**技术参数 Technical Parameter:**

机型	Type	LSB-200
制袋宽度 (W)	Bag Width (W)	80-200 mm
袋底宽度 (H)	Bottom Size (H)	50-105 mm
切割长度 (C)	Bag tube length (C)	190-370 mm
最大制袋速度	Max.Speed	260 pcs/min
纸张克重	Paper Thickness	45-140 gsm
纸卷宽度	Paper Roll Width	280-630 mm
最大纸卷直径	Max.Roll diameter	1100 mm
纸卷内径	Reel inner diameter	76 mm
印刷颜色	Printing Color	4 Color
最大印刷宽度	Printing Width	700 mm
印刷长度	Printing Length	160-800 mm
最大印刷速度	Max.Printing Speed	120 m/min
套印精度	Overprint Precision	±0.15 mm
版材厚度	Thickness of Plate	1.7 mm
总功率	Total Power	14 Kw
机器重量	Weight of Machine	5500 kg
外形尺寸	Overall Dimension(LxWxH)	10600x1400x1850 mm

注意:

制袋速度取决于材料和胶粘剂的品质、纸袋尺寸、操作员的工作知识和工作方法。

Note:

Machine speeds dependent on paper & adhesive qualities, bag dimensions, operator knowledge, and general work philosophy.

LSB-320/450

Roll Feeding Square Bottom Paper Bag Making Machine

卷筒纸方底纸袋机

**简介:**

卷筒纸方底纸袋机是将原色或印刷好的卷筒纸经过涂边胶、折叠成筒、纸筒切断、底部折叠、底部涂胶、袋底成形、成品袋输出一次完成。该机由PC伺服控制系统控制、触摸屏人机界面实时显示，可生产多种规格纸袋。它具有速度快、更换纸袋规格快、调节范围大等优点，是生产食品袋、手提购物袋最理想的首选设备。

Introduction:

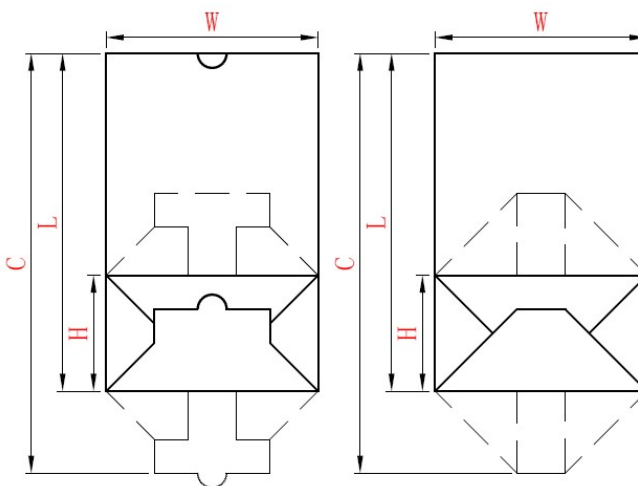
Roll Feeding square bottom paper bag making machine forming the paper bag in one process from printed or unprinted roll paper, side gluing, roll folding, roll paper cutting, bottom folding, bottom gluing, bottom forming, bag formation at a stroke. This machine controls by PC programmable servo motor through the human-machine touch screen interface. It can produce various of specifications paper bags. This machine have advantages of high speed, quickly replace the paper bag specifications, more wide range adjusting etc. It is an ideal machine for producing food bag, shopping handles bag.

特点：

1. 触摸屏人机界面，工作状态实时显示。
2. 超精密伺服控制系统，确保机器稳定、高效运行。
3. 材料装卸采用气动升降结构。
4. 全自动恒张力控制系统，张力从始至终丝毫不差。
5. 双光电传感器限位自动纠偏控制系统，纠偏稳定、节能、寿命长。
6. 拇指扣、平贴底切割装置，制袋类型多种选择。
7. 不停机轮毂侧夹同步调整结构，调整侧夹将变得非常简单、快速。
8. 涂胶辊防空涂控制，避免胶水直接涂刷轮毂表面，减少不必要的麻烦。
9. 精确的色标跟踪系统，色标错误自动停机。
10. 自动润滑供油系统。

Features:

1. The human-machine touch screen interface, the work condition can be shown in real-time.
2. Equipped with accurate servo motor drive, it makes the machine run steadily and efficiently.
3. Material lifting adopt pneumatic lift structure.
4. Automatic constant tension control system. The tension will be just right from beginning to end.
5. Double photoelectric sensor limit automatic correction control system and deviation rectification stability, energy saving, long life.
6. Thumb buttons, appressed bottom cutting device, bag type have many choices.
7. Don't stop machine adjust double bottom structure, the adjustment will become more intuitive, more simple, more time saving.
8. Glue roller air defense coating control, avoid gluing on besmear brushes hub surface directly, reduce unnecessary trouble.
9. Accurate color tracking system, color errors automatically shut down.
10. Automatic lubricating oil supply system.

**技术参数 Technical Parameter:**

机型	Type	LSB-320	LSB-450
制袋宽度 (W)	Bag Width (W)	130-320 mm	260-450 mm
袋底宽度 (H)	Bottom Size (H)	60-150 mm	85-180 mm
切割长度 (C)	Bag tube length (C)	270-530 mm	270-530 mm
最大制袋速度	Max.Speed	220 pcs/min	180 pcs/min
纸张克重	Paper Thickness	60-170 gsm	80-180 gsm
纸卷宽度	Paper Roll Width	400-970 mm	700-1250 mm
最大纸卷直径	Max.Roll diameter	1200 mm	1200 mm
纸卷内径	Reel inner diameter	76 mm	76 mm
总功率	Total Power	12 kw	12 Kw
机器重量	Weight of Machine	6000 kg	7000 kg
外形尺寸	Overall Dimension(LxWxH)	8150x2600x1800 mm	8300x2750x1800 mm

注意:

制袋速度取决于材料和胶粘剂的品质、纸袋尺寸、操作员的工作知识和工作方法。

Note:

Machine speeds dependent on paper & adhesive qualities, bag dimensions, operator knowledge, and general work philosophy.

LST Series Flexible letterpress printing unit LST系列柔性凸版印刷单元



简介:

该印刷单元用于纸袋机连线印刷，连接到纸袋机可实现印刷、制袋一次完成。节省印刷到制袋中间环节的材料消耗和调整时间，大大提高生产效率，降低生产成本。

Introduction:

The printing unit for the paper bag machine connection printing, connected to the paper bag machine can be printed, bag once completed. Saving printing to the bag intermediate material consumption and adjustment time, greatly improve production efficiency and reduce production costs.

特点：

1. 整机齿轮采用硬齿面斜齿轮传动，运行平稳，低噪音，高精度，寿命长。
2. 墨水循环式封闭刮墨刀刮墨。
3. 传墨采用陶瓷网纹辊，高速运行网点再现率高，网版印刷层次分明，立体感强。
4. 按钮式360°连续可调纵向套准装置。
5. 采用气动式自动起落印版辊筒。
6. 独立分组式自动匀墨系统，可按需开启单组或多组进行匀墨。
7. 自动润滑供油系统

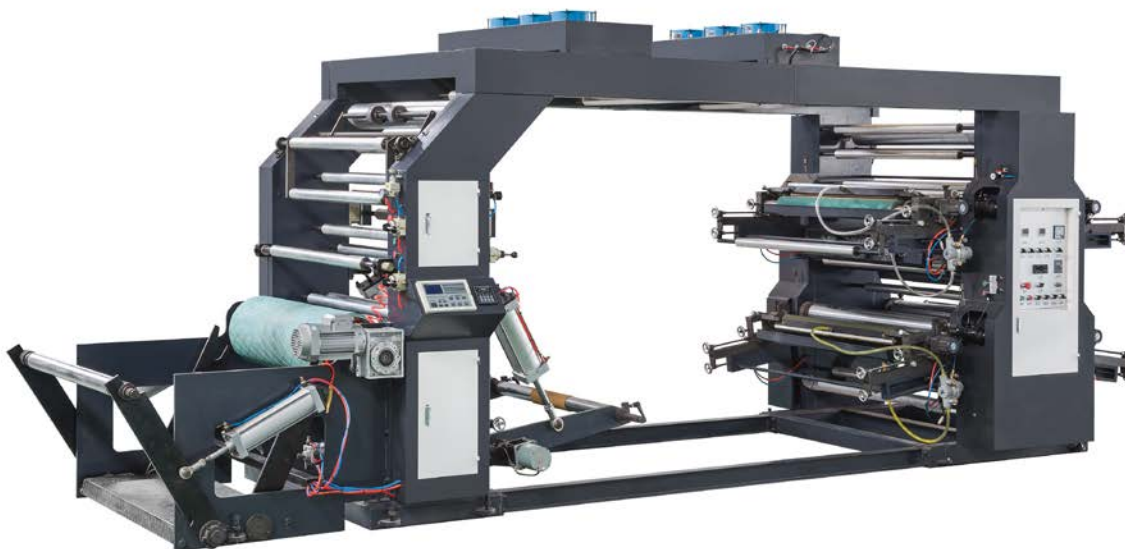
Features:

1. the machine adopts hard tooth surface gear helical gears, smooth operation, low noise, high accuracy and long life.
2. ink-ring sealed scraping knife scraping.
3. ink Ceramic Anilox roller, high speed dot rate, screen printed layered, stronger.
4. button-360 ° continuous and adjustable longitudinal register device.
5. pneumatic automatic printing plate roller.
6. the independent group automatic ink system, can be opened one or more sets of ink.
7. automatic lubricating oil system

技术参数 Technical Parameter:

型号 Type	LST-2700	LST-4700	LST-2800	LST-4800	LST-21100	LST-41100	LST-21400	LST-41400
印刷颜色 Printing Color	2 Color	4 Color	2 Color	4 Color	2 Color	4 Color	2 Color	4 Color
最大印刷宽度 Max.Printing Width	700 mm	700 mm	800 mm	800 mm	1100 mm	1100 mm	1400 mm	1400 mm
最大材料宽度 Max.Material width	730 mm	730 mm	830 mm	830 mm	1130 mm	1130 mm	1430 mm	1430 mm
印刷长度 Printing Length	160-800 mm	160-800 mm	160-800 mm	160-800 mm	160-800 mm	160-800 mm	160-800 mm	160-800 mm
最大速度 Max.Printing Speed	120 m/min	120 m/min	120 m/min	120 m/min	120 m/min	120 m/min	120 m/min	120 m/min
纸张要求 Paper Thickness	30-350 gsm	30-350 gsm	30-350 gsm	30-350 gsm	30-350 gsm	30-350 gsm	30-350 gsm	30-350 gsm
套准精度 Overprint Precision	±0.15 mm	±0.15 mm	±0.15 mm	±0.15 mm	±0.15 mm	±0.15 mm	±0.15 mm	±0.15 mm
版材厚度 Thickness of Plate	1.7 mm	1.7 mm	1.7 mm	1.7 mm	1.7 mm	1.7 mm	1.7 mm	1.7 mm
总功率 Total Power	4.5 kw	6.5 kw	4.5 kw	6.5 kw	5.5 kw	8.5 kw	7.5 kw	11.5 kw
机器重量 Weight of Machine	1500kg	2100kg	1600kg	2200kg	2000kg	2400kg	2400kg	2800kg
外形尺寸 Overall Dimension	180*136*185 cm	180*136*185 cm	180*146*185 cm	180*146*185 cm	180*176*185 cm	180*176*185 cm	180*206*185 cm	180*206*185 cm

LT Series Flexible letterpress printing machine LT系列柔性凸版印刷机



简介:

本机是用感光树脂软版作为版材的印刷机，适合印刷、聚乙烯、聚丙烯塑料袋、卷筒纸等包装材料，是食品纸包装，超市手提袋、马夹袋、服装袋等包装材料的理想印刷设备。

Introduction:

This machine is suitable for printing such packing materials as polyethylene, polypropylene plastic bag, glass paper and roll paper, etc. And it is a kind of ideal printing equipment for producing paper packing bag for food, supermarket handbag, vest bag and clothes bag, etc.

特点：

1. 采用斜齿轮传动，运行稳定，低噪音。
2. 起版与落版采用气动起落版。
3. 放料自动光电传感器纠偏控制系统。
4. 独立刮墨刀刮墨和自动油墨循环系统。
5. 独立分组式自动匀墨系统，可按需开启单组或多组进行匀墨
6. 配陶瓷网纹辊，高速下网点再现率高，网版印刷层次分明，立体感强。
7. 独立烘干区，采用中央恒温控制系统并分组控制。

Features:

1. using helical gear transmission, stable operation, low noise.
2. version and fall plate using pneumatic landing plate.
3. Deviation rectification control system of discharge automatic photoelectric sensor.
4. independent scraping knife scraping ink and automatic ink circulation system.
5. independent grouping type automatic ink mixing system, can be opened on demand, one or more groups of ink evenly
6. with ceramic anilox roller, high speed dot reproduction rate is high, screen printing layer is clear, three-dimensional feeling strong.
7. independent drying area, using central constant temperature control system and grouping control.

技术参数 Technical Parameter:

型号	Type	LT-4800	LT-41000	LST-41200	LST-41400
印刷颜色	Printing Color	4 Color	4 Color	4 Color	4 Color
最大印刷宽度	Max.Printing Width	750 mm	950 mm	1150 mm	1350 mm
最大材料宽度	Max.Material width	800 mm	1000 mm	1200 mm	1400 mm
印刷长度	Printing Length	200-1000 mm	200-1000 mm	200-1000 mm	200-1000 mm
最大速度	Max.Printing Speed	80 m/min	80 m/min	80 m/min	80 m/min
纸张要求	Paper Thickness	30-350 gsm	30-350 gsm	30-350 gsm	30-350 gsm
套准精度	Overprint Precision	±0.2 mm	±0.2 mm	±0.2 mm	±0.2 mm
版材厚度	Thickness of Plate	2.38 mm	2.38 mm	2.38 mm	2.38 mm
总功率	Total Power	13 kw	15 kw	15 kw	18 kw
机器重量	Weight of Machine	4000kg	4500kg	5000kg	5500kg
外形尺寸 (cm)	Overall Dimension (cm)	450*190*245	450*210*245	450*230*245	450*260*245

FQ-A Series Computer High-speed Slitting Machine

FQ-A系列电脑高速分切复卷机



简介:

本机适用于各种卷材的分切和复卷，如30g/m²-300g/m²牛皮纸、白卡纸、淋膜纸、硅油纸、铝箔、锡纸、PVC塑料、无纺布材料等卷材。

Introduction:

This machine suitable for slitting jumbo roll materials such as paper, aluminum foil, PVC, Plastic Film, Insulation Materials and Laminated Materials etc.

It is best slitting machine for Jumbo roll material in china. it is good use for paper roll slitting machine

特点：

1. 该机采用矢量电机/伺服电机控制、自动恒张力，中心卷取方式。主机采用变频调速，保持加速中平衡运转。
2. 自动计米、报警等功能。收卷采用上下A、B气胀轴结构，链条自动卸料、操作方便。
3. 放卷采用光电自动纠偏修正系统，使不规则材料能正常分切。
4. 采用圆刀/平刀纵切的分切方式，高压风机废边自动排除装置。
5. 气胀轴自动上料方式/液压无轴自动放卷装置。

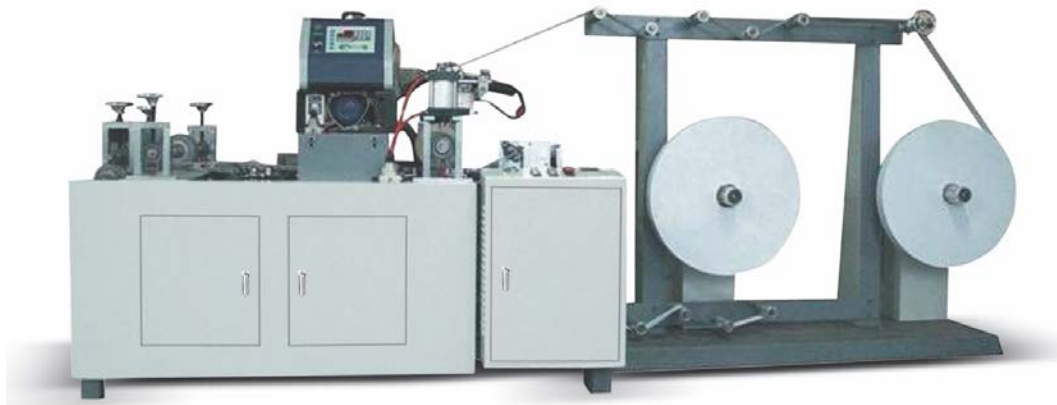
Features:

1. Main engine frequency adjust speed, PLC touch screen control system, auto counter meter, auto machine stop when had alarm, auto tension control etc function.
2. Unwinding unit use auto air loading system (150# cylinder)
3. Rewinding use vector motor control tension, Unwinding use magnetic powder brake control tension

技术参数 Technical Parameter:

型号	Type	FQ-1300A	FQ-1600A	FQ-1800A
放卷最大宽度	Max.Width of Unwinding	1300mm	1600mm	1800mm
放卷最大直径	Max.Diameter of Unwinding	1400mm	1400mm	1400mm
分切最小宽度	Min.Slitting Width	30mm	30mm	30mm
收卷最大直径	Max.Diameter of Rewinding	1000mm	1000mm	1000mm
纸张要求	Paper Thickness	30-300gsm	30-300gsm	30-300gsm
分切速度	Machine Speed	350m/min	350m/min	350m/min
总功率	Total Power	22kw	26kw	35kw
机器重量	Weight of Machine	3400kg	3800kg	4200kg
外形尺寸	Overall Dimension	4500x3100x1900mm	4500x3400x1900mm	4500x3800x1900mm

LRP-190
Paper Handle making Machine
纸手挽机

**简介:**

本机专为纸袋拎手而研制的新一代手挽机。该机是将纸绳夹在两层牛皮纸中间，经过涂胶、压合、再自动分切成单个手挽。是手提纸袋机生产线的理想配套产品。

Introduction:

machine was developed specifically for the new generation of paper Handle Machine. This machine is sandwiched between two layers of kraft paper rope middle, after gluing, lamination, and then automatically cut into a single handle. Paper bag machine is the ideal complementary product lines.

特点：

1. 使用热熔机不易脱落。
2. 操作方便，速度快

Features:

1. use Hot-melt glue not falling.
2. easy to operate, fast.

技术参数 Technical Parameter:

机型	Type	LRP-190
纸片长度	Paper Board Length	190 mm
纸片宽度	Paper Board Width	35-50 mm
纸绳直径	Rope Diameter	3-5 mm
最大速度	Max.Speed	300 pcs/min
纸张克重	Paper Thickness	100-120 gsm
纸卷宽度	Paper Roll Width	70-100 mm
最大纸卷直径	Max.Roll diameter	700 mm
纸卷内径	Reel inner diameter	76 mm
总功率	Total Power	4 Kw
机器重量	Weight of Machine	1500 kg
外形尺寸	Overall Dimension(LxWxH)	4200x1300x1500 mm

LRT-A Paper Rope making Machine 纸绳机



简介:

该纸绳机是用于配套纸袋机、手挽机生产手提纸袋的配套产品，是将各种卷筒纸制粗细不一的纸绳，也可制成各种各样的颜色。

Introduction:

This machine is applied to manufacture ropes matching with paper bag machine or handle bag making machine. Paper ropes in different diameters can be made from roll paper with this machine.

特点：

1. 性能稳定的单头高速输出圆纸绳；
2. 机器噪音小，换款简便；
3. 纸绳扭力和硬度可自由调节；
4. 可多卷纸包芯。

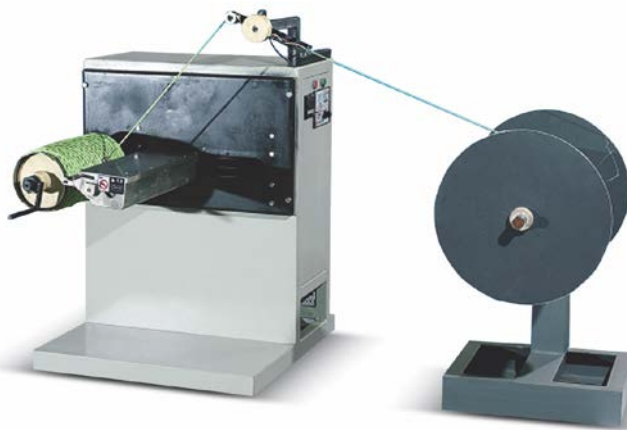
Features:

1. High speed round rope output device with single hole.
2. Low noise and easy operation.
3. Adjustable torque, hard and soft degrees.
4. Can twist paper ropes with single or more rolls of paper.

技术参数 Technical Parameter:

机型	Type	LRT-A
纸绳直径	Rope Diameter	3-5 mm
最大速度	Max.Speed	35 m/min
纸张克重	Paper Thickness	25-50 gsm
纸卷宽度	Paper Roll Width	30-100 mm
总功率	Total Power	2.2 Kw
机器重量	Weight of Machine	350 kg
外形尺寸	Overall Dimension(LxWxH)	4000x800x800 mm

LRT-R
Paper Rope Coiling Machine
 纸绳复卷机

**简介:**

该机是将制成的纸绳卷进行重新缠绕，绕成大的纸绳卷便与手挽机制作手挽时能顺利放出纸绳，以成纸袋手挽。

Introduction:

This machine is made of the twine coil to coil, round into a large spinning mechanism with arms around the hand holding the release paper twine smoothly to arm in arm into a paper bag.

特点：

1. 采用力矩电机，确保绳卷力度均匀，防止绳结对机器造成损伤。
2. 纸绳走纹规则美观，最大复卷可达20kg以上。
3. 机器操作简单，噪音小，效率高，维护简单。

Features:

1. Adopt torque motor to coil ropes evenly.
2. The finished rope coil has good appearance and weight up to 20kg.
3. Easy operation and maintenance. Low noise and high efficiency

技术参数 Technical Parameter:

机型	Type	LRT-R
最大绳卷直径	Max.Wire coil diameter	500 mm
绳卷宽度	Wire coil Width	450 mm
纸绳直径	Wire coil diameter	3-5 mm
最大速度	Max.Speed	150 m/min
总功率	Total Power	2.2 Kw
机器重量	Weight of Machine	200 kg
外形尺寸	Overall Dimension(LxWxH)	1800x1200x600 mm

LBG-3000
Paper Handle brush glue machine
纸手挽涂胶机

**简介:**

该机是将制成的纸手挽进行涂胶，经过输送带传递，人工即可将手挽粘贴到纸袋上。

Introduction:

The machine is to make the paper handle to brush glue, through the conveyor belt, the manual can be attached to the paper bag.

特点：

1. 机器操作简单，噪音小，效率高，维护简单。
2. 刷胶位置可控，刷胶均匀。
3. 无极调速，调整速度随心所欲。

Features:

1. Simple operation, low noise, high efficiency and simple maintenance.
2. The glue position is controllable and the glue is uniform.
3. Adjustable speed and free speed.

技术参数 Technical Parameter:

机型	Type	LBG-3000
最大手挽高度	Max. handle height	180 mm
涂胶宽度	Brushing glue Width	10、20、30 mm
最大速度	Max.Speed	20 m/min
总功率	Total Power	250 w
机器重量	Weight of Machine	400 kg
外形尺寸	Overall Dimension(LxWxH)	3550x700x1000 mm